



Big Dutchman®



Feed cart FC-V

The trendsetting feed cart with V-trough
for even and reliable feed supply

FC-V – even and cost-efficient feed distribution

Big Dutchman's new feeding system FC-V is ideally suited for all cage systems consisting of up to six tiers without catwalk, and of up to ten tiers with catwalk. The system comprises a pulled feed cart in combination with a

V-shaped trough. The laying hens receive feed reliably, evenly and based on their needs. Feed wastage is not an issue with this feeding system! It is also a very cost-efficient and energy-saving system because it only requires

one motor for up to six tiers. Let our experts advise you to find the best options for successful egg production.

Important features

- ✓ only one 0.18 kW gear motor is required for up to six tiers without catwalk;
- ✓ easy handling;
- ✓ very quiet and smooth running of the feed cart;
- ✓ V-trough ensures accurate feed dispensing, especially for small quantities;
- ✓ automatic alignment with the trough for perfect dosing results;
- ✓ sliding surfaces in the trough are made of plastic for a high functional reliability;
- ✓ feed is dispensed in both running directions of the cart;
- ✓ low maintenance requirements;
- ✓ modular design for fast installation.



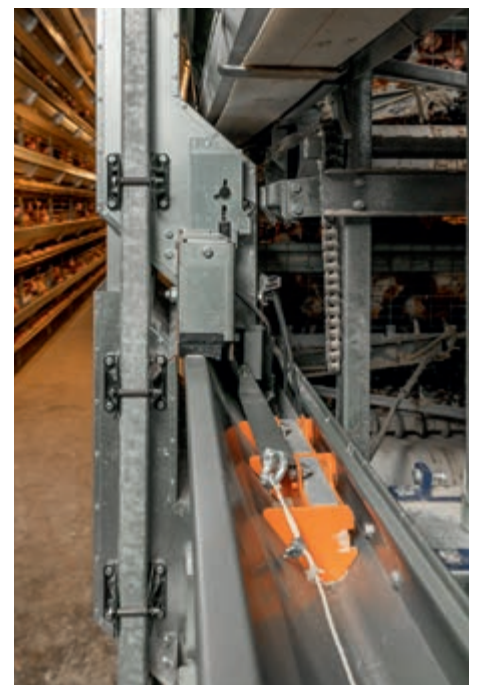
Important and effective technical details

Feed distribution

The FC-V feed cart is pulled along the entire row by a wire rope. In every tier, the cart is supported by the troughs so all tiers carry the same weight. Since the troughs are very stable, the farm staff can step on them. The feed hopper with dosing unit for each tier is 70 cm wide and can hold approx. 37 kg of feed. Even when the feed cart moves along the cage front, there is still sufficient space for the birds. After the feed has been dispensed, it is pushed into the middle of the trough, i.e. towards the birds. Feed is dispensed in both running directions of the cart. The quantity to be dispensed can be adjusted very easily at each hopper. A vane in the end set automatically pushes the feed back into the bird area.



Very even feed dispensing



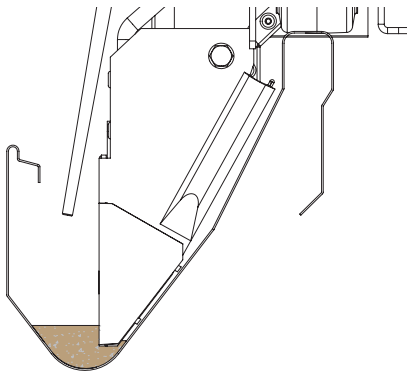
Feed vane in the end set

Supporting frame and filling

The two feed cart halves are connected by a stable frame to which the traction rope is attached. Due to the greater wheel distance and the supporting frame's large, rubberised rollers with ball bearings, the cart runs along the row smoothly and easily. An additional lower frame ensures secure guiding along the system row.



Rubberised rollers with ball bearings ensure quiet and smooth running of the feed cart



V-trough with dosing unit



Front end set with drive and feed filling

The feed cart is filled by a FlexVey spiral in the front end set. Through a drop shaft in the top hopper, the feed flows from tier to tier into the lower hoppers. This means that the feed cart is

filled from top to bottom, thus preventing separation, agglomeration and bridging of the feed as well as the formation of feed dust.

The new V-shaped trough has the following advantages:

- ✓ very even feed distribution so that every hen receives the same quantity and quality of feed;
- ✓ high reliability of the dosing system;
- ✓ very stable and steppable trough;
- ✓ no contact between metal parts of feed trough and dosing unit.



Stable, steppable V-trough



Example of a UV 600 layer system, six tiers with feed cart



ViperTouch (integrated in the control cabinet) controls the system

Planning details and technical specifications

System dimensions

H = standard system height

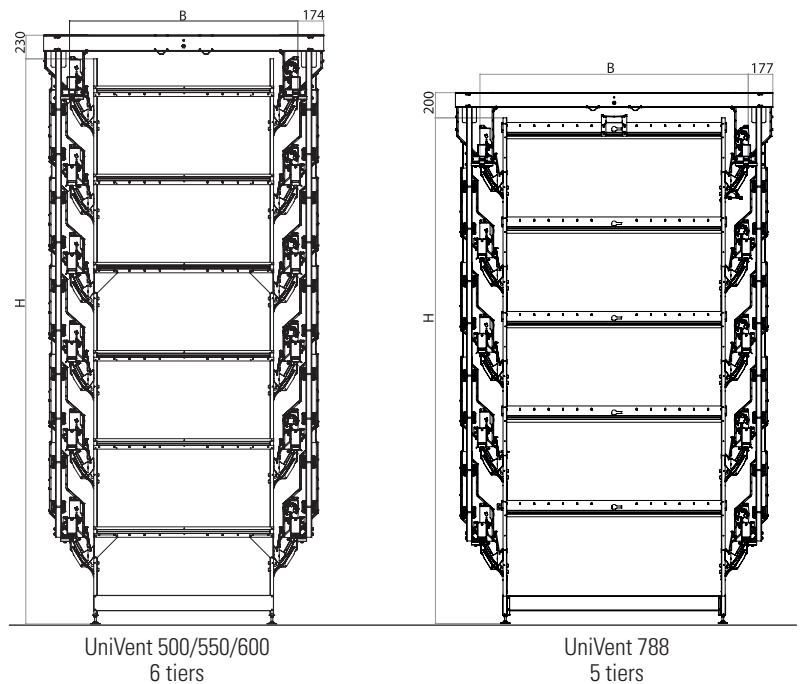
- UV 500/550/600 5 tiers / 6 tiers: 3140 / 3930 mm
- UV 788 5 tiers / 6 tiers: 3580 / 4450 mm

B = standard system width

- UV 500/500a: 1340 mm
- UV 500A/550/550a: 1440 mm
- UV 550A/600/600a: 1540 mm
- UV 788: 1916 mm

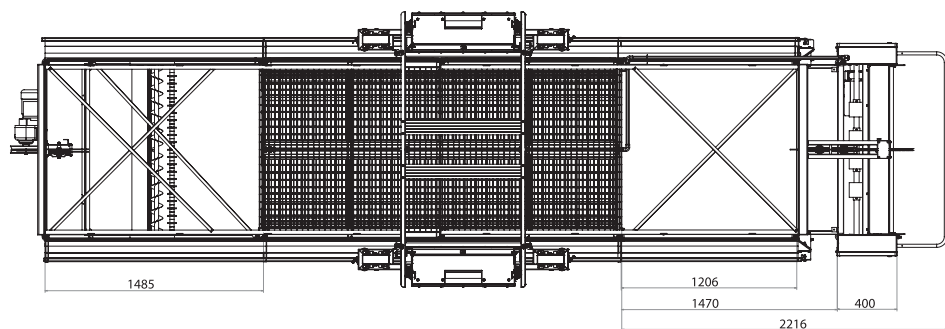
Key figures of FC-V

- Use: up to 6 tiers without catwalk
up to 10 tiers with catwalk
- Drive: 1 motor 0.18 kW without catwalk
3 motors 0.18 kW each with catwalk
- Speed of feed cart: 6.2 m/min
- Feed cart pulled by a stainless steel wire rope dia 5 mm
- Hopper volume UV 500/550/600: 37 kg per hopper
UV 788: 40 kg per hopper



End set dimensions

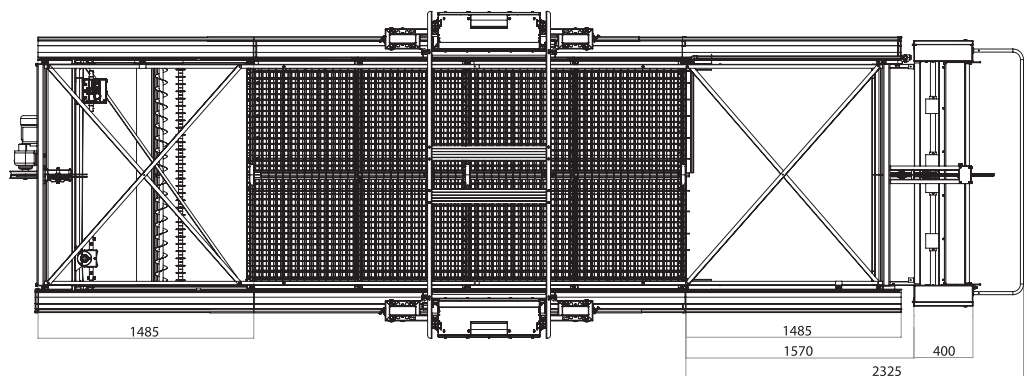
UniVent 500 / 550 / 600



Feed cart drive
in the front end set

Idler for feed cart
in the rear end set

UniVent 788



Big Dutchman

Europe, Middle East & Africa:
Big Dutchman International GmbH
P.O. Box 1163 · 49360 Vechta, Germany
Tel. +49(0)4447 801-0 · Fax -237
big@bigdutchman.de
www.bigdutchman.de

USA: Big Dutchman, Inc.
Tel. +1 616 392 5981 · bigd@bigdutchmanusa.com
www.bigdutchmanusa.com

Brazil: Big Dutchman (Brasil) Ltda.
Tel. +55 16 2108 5310 · bdb@bigdutchman.com.br
www.bigdutchman.com.br

Russia: 000 "Big Dutchman"
Tel. +7 495 2295 161 · big@bigdutchman.ru · www.bigdutchman.ru

Asia/Pacific: BD Agriculture (Malaysia) Sdn. Bhd.
Tel. +60 3 334 83 555 · bdasia@bigdutchman.com · www.bigdutchman.com

China: Big Dutchman (Tianjin) Livestock Equipment Co., Ltd.
Tel. +86 10 6476 1888 · bdcnsales@bigdutchman.com
www.bigdutchmanchina.com